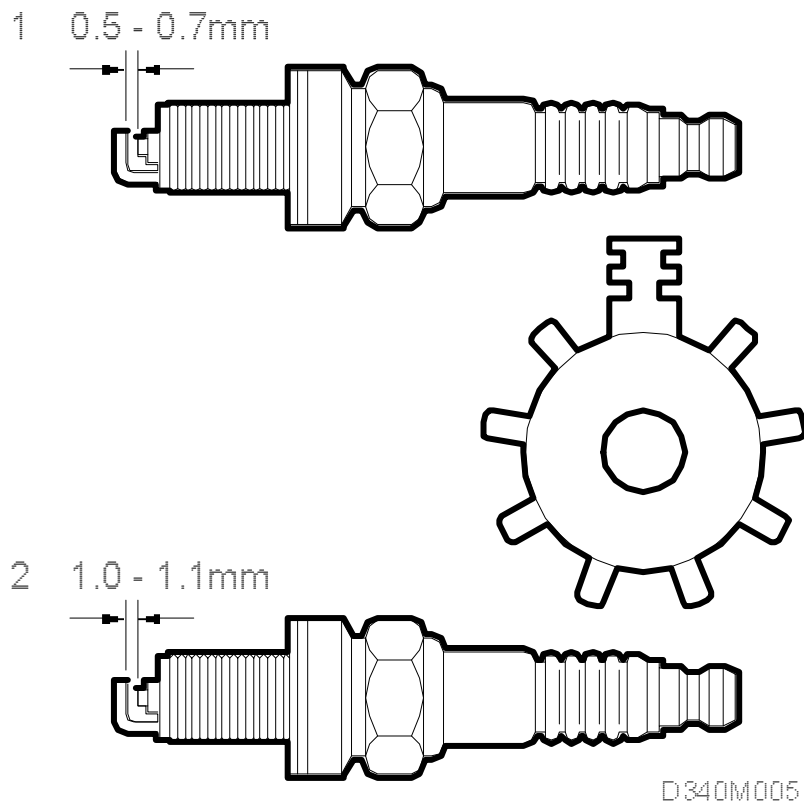


Spark plugs



Engine	Designation
B204I	NGK BCP 5EV (Precious metal)
B204E	NGK BCPR 7ES-11
B204L	NGK BCPR 7ES-11
B204R	NGK BCPR 7ES-11
B205E	NGK BCPR 6ES-11
B205L	NGK PFR 7H-10
M00	
B205L	NGK PFR 6H-10
M001/2-	

B205R NGK PFR 7H-10

M00

---

B205R NGK PFR 6H-10

M001/2-

---

B234I NGK BCP 6EV (Precious metal)

---

B235R NGK PFR 7H-10

-M991/2

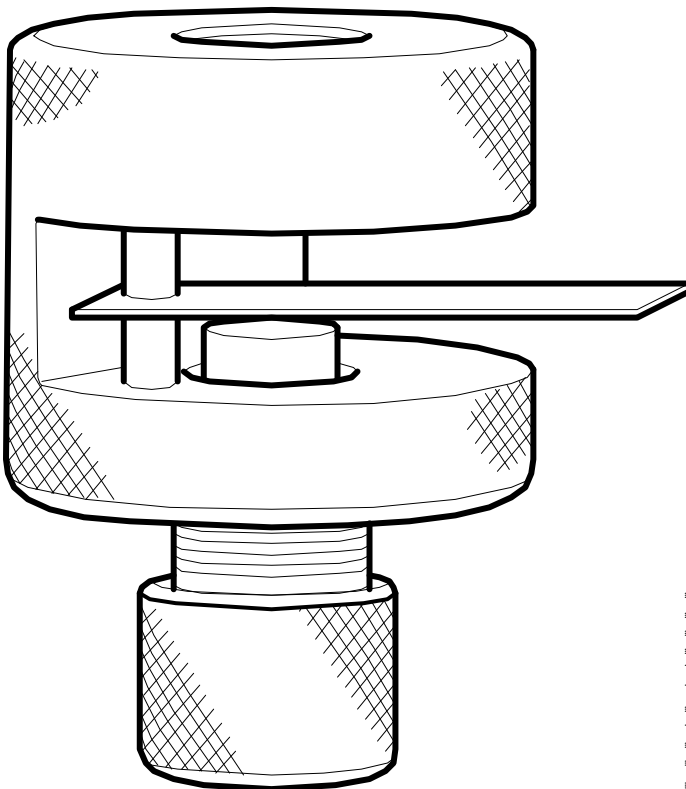
---

B235R NGK PFR 6H-10

M991/2-

---

### Electrode gap



D0340-M0002

Measure and adjust the spark plug at pos. 2 with tool 85 80 045. Measure the spark plug at pos. 1 with a wire gauge.

Engine	Electrode gap, mm (in)
B204I/B234I	0,6 - 0,7 (0.023 -0.027)
B204E/ B204L/ B204R/ B205E/ B235R	1,0 - 1,1 (0.039 -0.043)
B205L/ B205R/ B235R	0,9 - 1,0 (0.035 - 0.039)

**Tightening torque, spark plugs: 27 Nm (20 lbf ft).**

Illustration: Tool 85 80 045 for measuring and adjusting electrode gap 0.6 mm